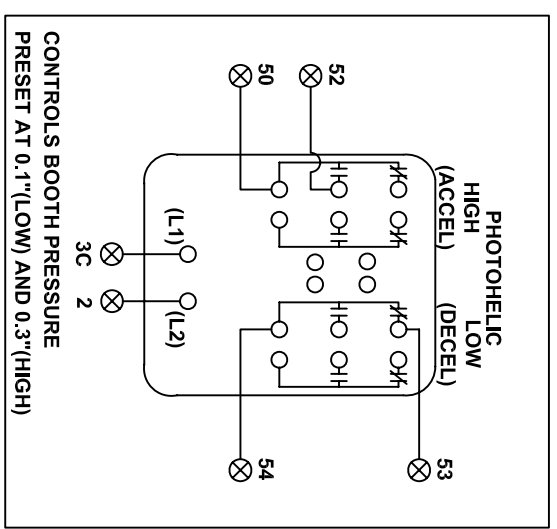
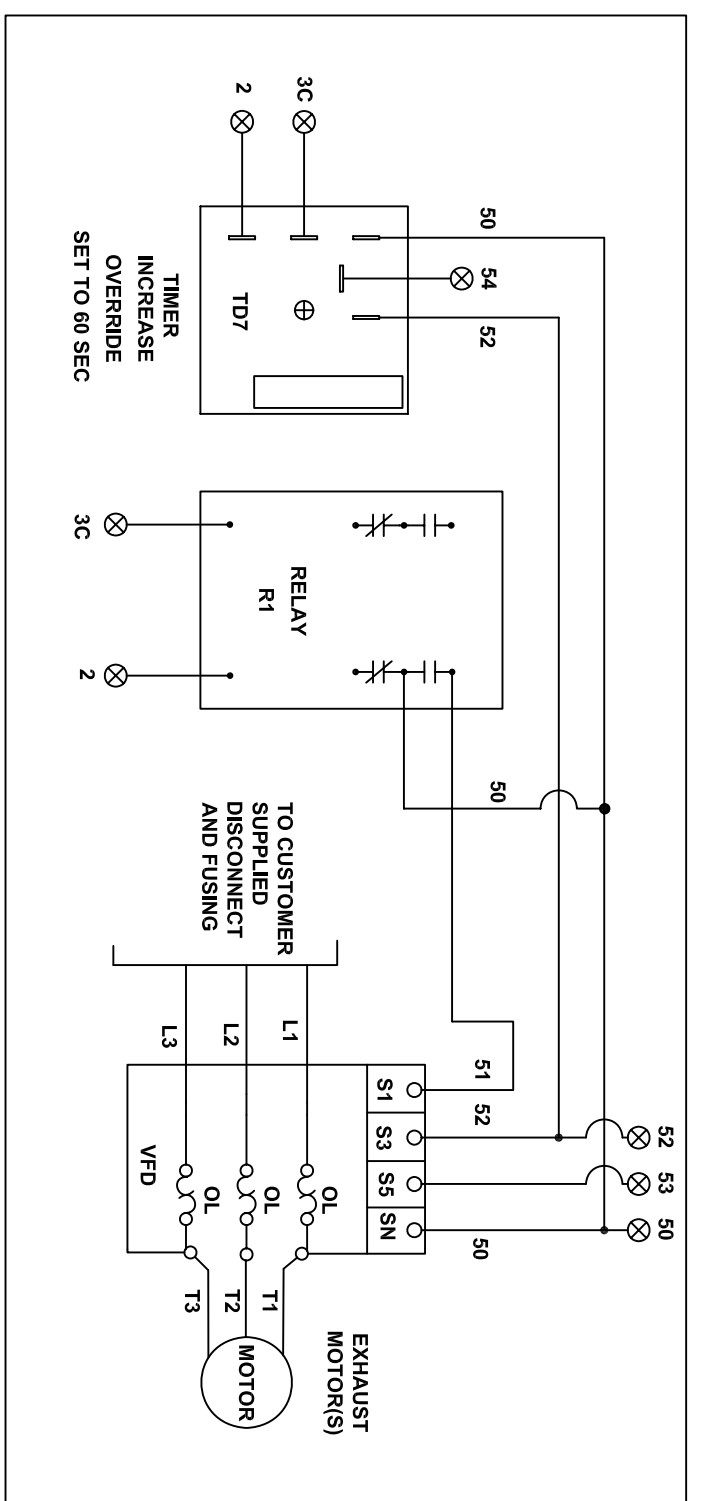


LOCATED ON VFD PANEL INSIDE CONTROL ENCLOSURE



VFD PROGRAM PARAMETERS 15HP OR MORE

B1-02=1, C1-01=25, C1-02=25
 D2-02=50, D4-01=1
 E1-01=VOLTS, E2-01=AMP
 H1-04=10, H1-05=11

REVISION	ZONE	DESCRIPTION	DATE	DRWN	APVD
SHT2	SHT1	DRR-1516	FEB 5,07	JM	-
-	A	DRR-1529	MAR15,07	JM	-

WIRES CONNECTED TO CONTROL PANEL: 2, 3A
 WIRES CONNECTED TO REMOTE PANEL CONTAINING PHOTOHELIC 50, 52, 53, 54 (MUST BE SHIELDED)

OPERATION:
 BOOTH PRESSURE HIGH - VFD (EXHAUST) SPEEDS UP
 BOOTH PRESSURE LOW - VFD (EXHAUST) SLOWS DOWN

DESIGNED BY: J. MCCOY	DRAWN BY/DATE: J. MCCOY	TITLE: YASKAWA P7 15HP OR MORE PHOTOHELIC
TRACES AS NOTED	FEB. 5, 07	SCALE: C
MAJOR CHANGES:	REVIEWED BY/DATE:	DWG. TYPE: ENG
3 DECIMAL PLACES: ±.003	APPROVED BY/DATE:	LOCATION: B/FLO
ANGLES: ±1°		SHEET: 1 OF 1
FINISH: -		REV: A